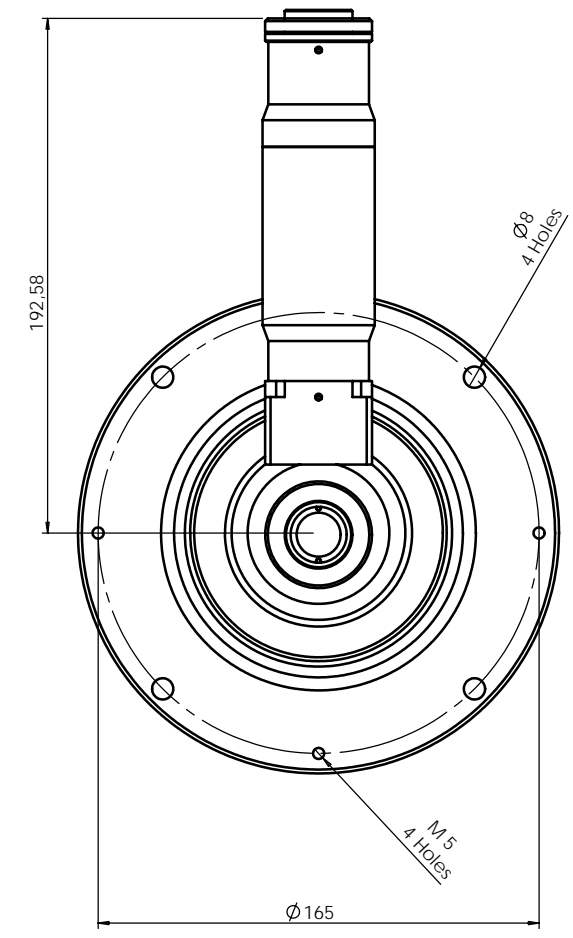
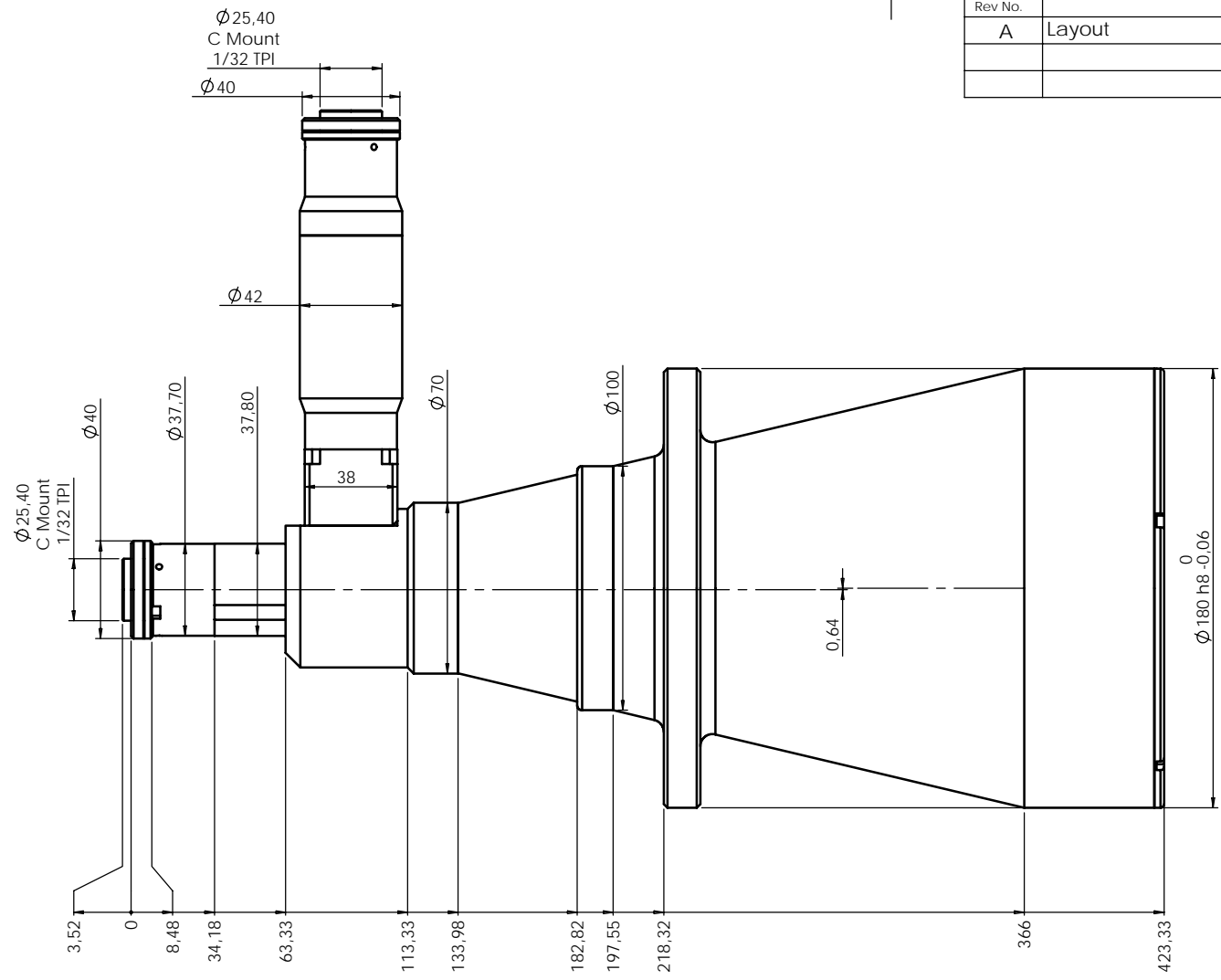


Rev No.	Description	Date	Name
A	Layout	14/12/11	A. Bnà



Material	N.A.		Mass	6.2 Kg.	Scale	1:2											
Surface treatment	N.A.		Project-Prod Item/Instrument TCDP 4X 120														
Geometrical tolerance (ISO 2768-2)			Description		Drawing No.	Sheet											
<table border="1"> <tr> <th>Class</th> <th>K</th> <th>Undimensioned bevels</th> </tr> <tr> <td>0.5</td> <td>>30</td> <td>1x45°</td> </tr> <tr> <td>+3</td> <td>6</td> <td>R 0.5</td> </tr> <tr> <td>±0.1</td> <td>±0.1</td> <td>±2</td> </tr> </table>			Class	K			Undimensioned bevels	0.5	>30	1x45°	+3	6	R 0.5	±0.1	±0.1	±2	TCDP 4X 120 Layout
Class	K	Undimensioned bevels															
0.5	>30	1x45°															
+3	6	R 0.5															
±0.1	±0.1	±2															
<table border="1"> <tr> <th>Class</th> <th>K</th> <th>Undimensioned radii</th> </tr> <tr> <td>>120</td> <td>>30</td> <td>±2</td> </tr> <tr> <td>>400</td> <td>1000</td> <td>±1.2</td> </tr> <tr> <td>>2000</td> <td>+4000</td> <td>±2</td> </tr> </table>		Class	K	Undimensioned radii	>120	>30	±2	>400	1000	±1.2	>2000	+4000	±2	Date	Name	Reproduction forbidden without specific authorization	
Class	K	Undimensioned radii															
>120	>30	±2															
>400	1000	±1.2															
>2000	+4000	±2															
		Designed	14/12/11	A. Bnà	16323-0-A	1/1											
		Draw	14/12/11	A. Bnà													
		Checked	X	C. Sedazzari													
OPTO ENGINEERING S.r.l. - 46100 Mantova Italy - Via Cremona, 29/2 - Tel +39 0376 263525 - e-mai: info@opto-engineering.com - http://www.opto-engineering.com																	